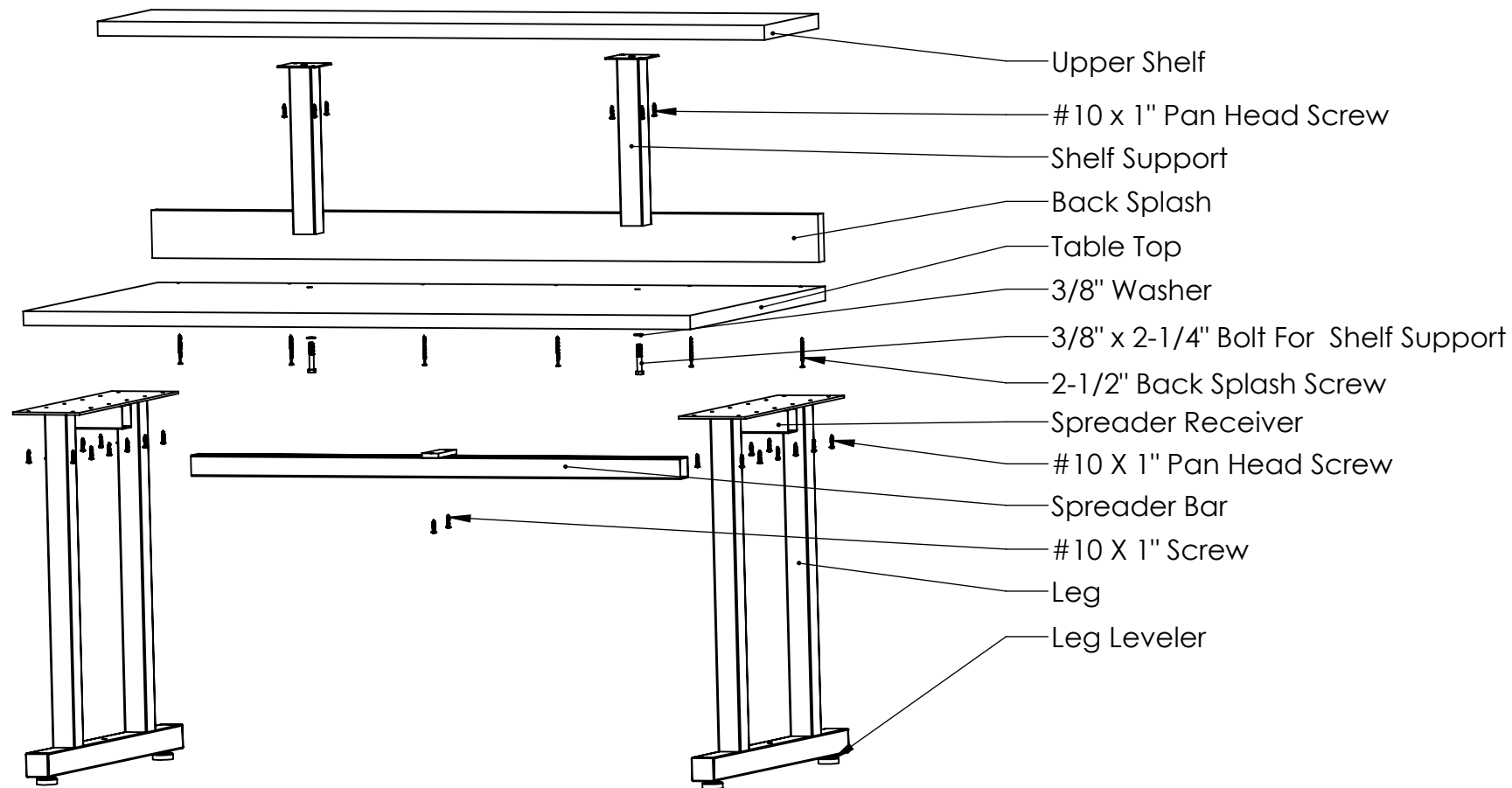


B

B



## Standard Table Assembly Instructions

Lay table top face down over protective surface on the floor.  
 Attach legs and spreader bar as shown using the #10 x 1" pan head screws.  
 Turn table upright and adjust the leg levelers so the table sits flat on the floor.  
 Attach the back splash using the 2-1/2" back splash screws.  
 Attach the shelf supports to the table top using the 3/8" x 2-1/4" bolts and washers.  
 Make sure they are square to the edge of the table.  
 Install the shelf using the #10 x 1" pan head screws.  
 If the holes aren't aligned loosen the shelf support and rotate until they are.  
 Adjust the leg levelers when the table is in place.

 **HIGH MARK**  
 Manufacturing, Inc.  
 P.O. Box 212 Johnstown, Co. 80534  
 970.587.9044 highmarkmanufacturing.com

2

1

A