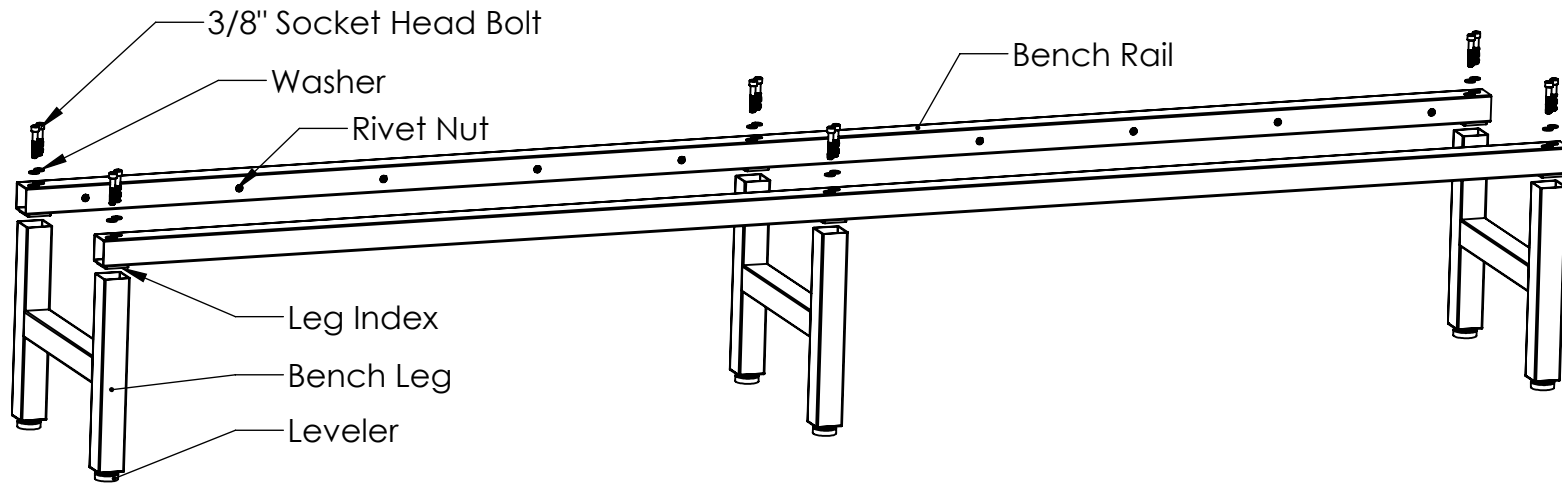


B



B

Bench Frame Assembly Instructions

3 seat and 4 seat Benches will not have a third / middle leg.

The legs fit onto the rails by inserting the Leg Indexes into the top of the Bench Legs.

The frame is secured using the 3/8" Socket Head Bolts and Washers.

Make sure the Rivet Nuts face toward the inside of the bench.

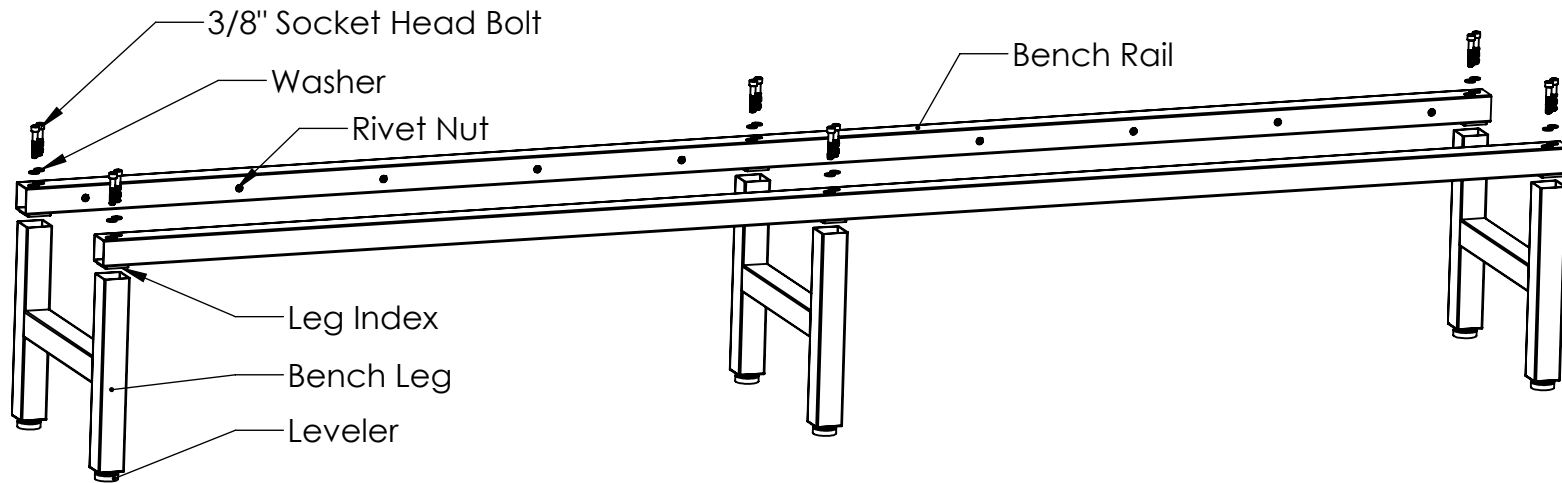
A

A

2

1

B



B

Bench Frame Assembly Instructions

3 seat and 4 seat Benches will not have a third / middle leg.

The legs fit onto the rails by inserting the Leg Indexes into the top of the Bench Legs.

The frame is secured using the 3/8" Socket Head Bolts and Washers.

Make sure the Rivet Nuts face toward the inside of the bench.

A

A

2

1