

2

1

B

B

A

A

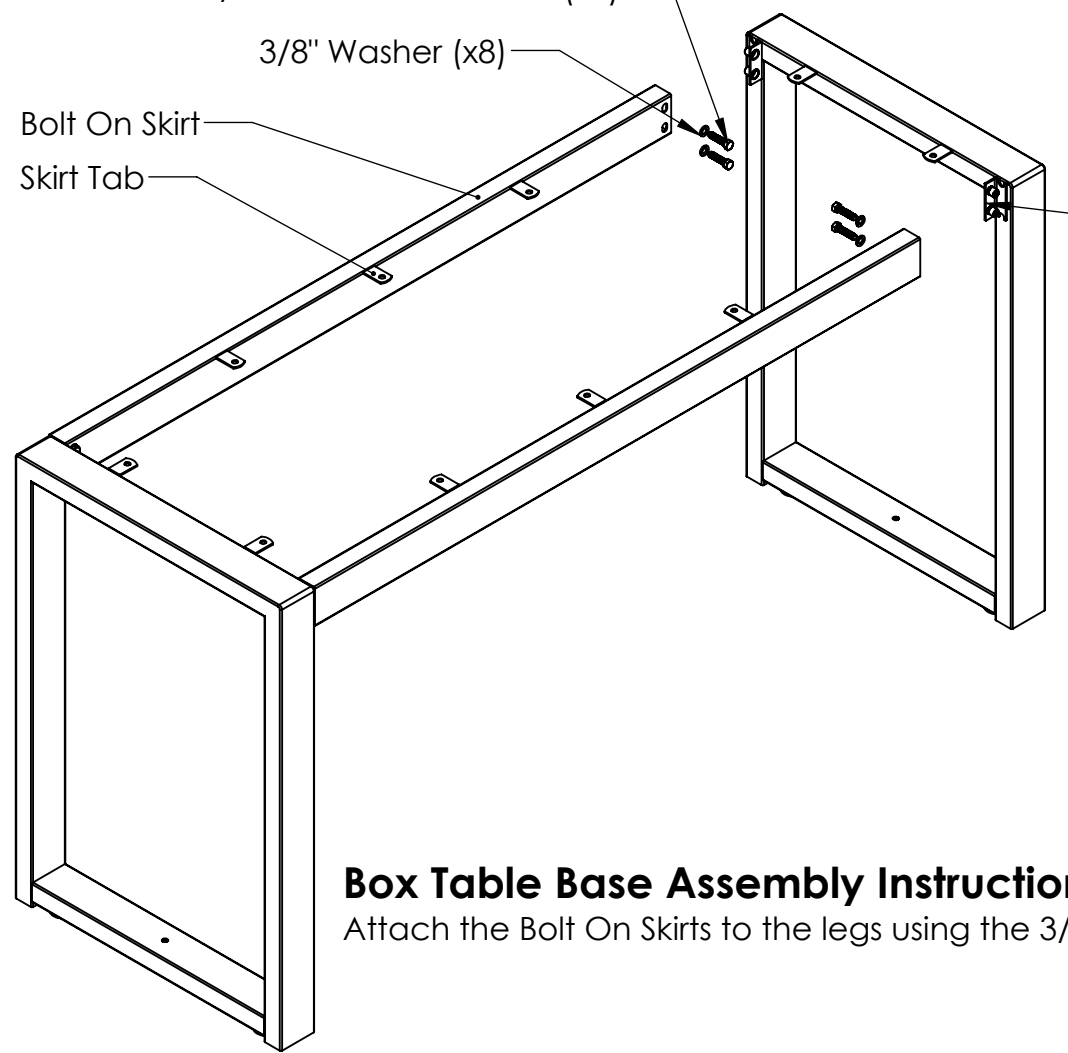
3/8" X 1" Hex Head Bolt (x8)

3/8" Washer (x8)

Bolt On Skirt

Skirt Tab

Skirt Cleat



### Box Table Base Assembly Instructions

Attach the Bolt On Skirts to the legs using the 3/8" X 1" Hex Head Bolts and 3/8" Washers.



**HIGH MARK**  
 Manufacturing, Inc.  
 P.O. Box 212 Johnstown, Co. 80534  
 970.587.9044 highmarkmanufacturing.com

2

1

2

1

B

B

A

A

Table Top

Skirt Tab

1/4" Washer

#10 Pan Head Screw

Leveler

### Box Table Assembly Instructions

Center the table top on the base.  
Secure the top to the base using the #10 Pan head Screws and 1/4" Washers.  
Set the table in place and adjust the levelers so that the table sits flat on the floor.



**HIGH MARK**  
Manufacturing, Inc.

P.O. Box 212 Johnstown, Co. 80534  
970.587.9044 highmarkmanufacturing.com

2

1