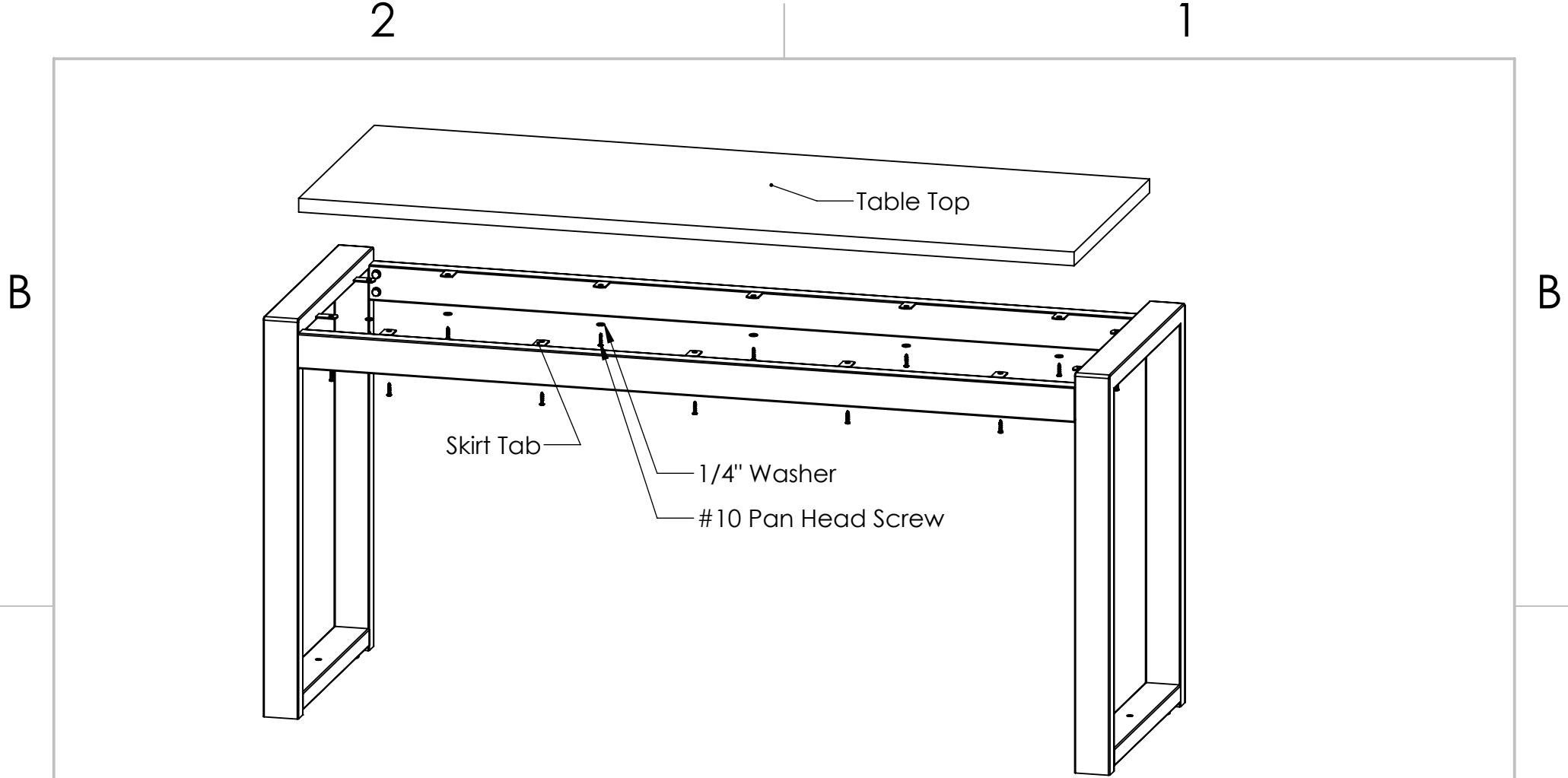


### Border Table Base Assembly Instructions

Attach the Bolt On Skirts to the legs using the 3/8" X 1" Hex Head Bolts and washers.



**HIGH MARK**  
 Manufacturing, Inc.  
 P.O. Box 212 Johnstown, Co. 80534  
 970.587.9044 highmarkmanufacturing.com



### Border Table Assembly Instructions

Secure the table top to the base using the #10 Pan Head Screws and 1/4" Washers. Set the table in place and adjust the levelers until the table sits flat on the floor.



**HIGH MARK**  
Manufacturing, Inc.  
P.O. Box 212 Johnstown, Co. 80534  
970.587.9044 highmarkmanufacturing.com