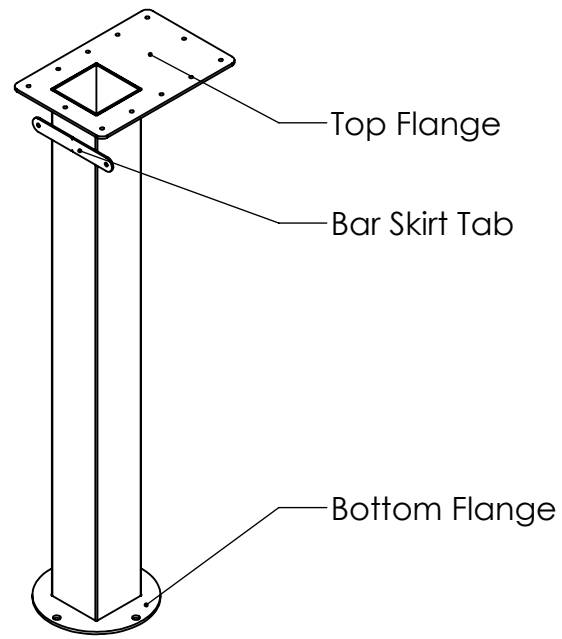


2

1

B

B



Top Flange

Bar Skirt Tab

Bottom Flange

Recommended fastener to attach legs and Bar Stools to the floor:  
Red Head RL38

Bar Top and Skirt is fastened to the legs with #10 X 1-1/8" pan head screws.

A

A

UNLESS OTHERWISE SPECIFIED: DIMENSIONS ARE IN INCHES TOLERANCES: FRACTIONAL ± 1/16 ANGULAR: ± 1° TWO PLACE DECIMAL ± .03 THREE PLACE DECIMAL ± .005	COMMENTS:	
	DRAWN	DATE
	8/9/2021	
	MATERIAL	
DO NOT SCALE DRAWING		SCALE: 1:12 SHEET 1 OF 1

**PROPRIETARY AND CONFIDENTIAL**  
 THE INFORMATION CONTAINED IN THIS DRAWING IS THE SOLE PROPERTY OF **High Mark Manufacturing**. ANY REPRODUCTION IN PART OR AS A WHOLE WITHOUT THE WRITTEN PERMISSION OF **High Mark Manufacturing** IS PROHIBITED.



P.O. Box 212 Johnstown, Co. 80534  
 970.587.9044 highmarkmanufacturing.com

DWG. NO. Bar Leg Assembly With Skirt Bracket 8-9-21

REV

2

1

2

1

B

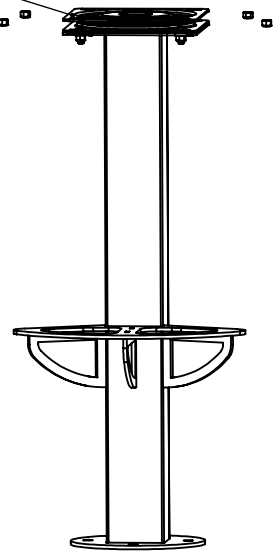
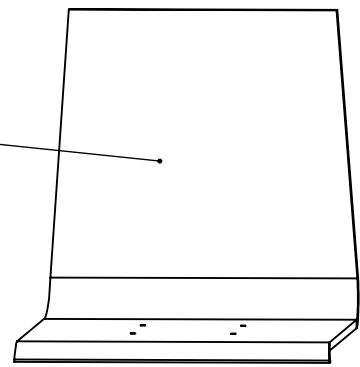
B

1/4" X 1" Wafer Bolt

Seat Shell

Bar Stool Swivel

1/4" Nylock Nuts



A

A

**Bar Stool Assembly Instructions**

Attach the seat shell to the bar stool swivel using the 1/4" x 1" wafer bolts and nylock nuts.



**HIGH MARK**  
 Manufacturing, Inc.  
 P.O. Box 212 Johnstown, Co. 80534  
 970.587.9044 highmarkmanufacturing.com

2

1